

## DC 6140L / 6240L

Simple and productive: So many functions in one device.



**DC 6140L / 6240L**  
**Multifunctional System**  
Copy / Print / Scan / Fax  
A4

# DC 6140L / 6240L

Speed is not a matter of size. The two A4 b/w multifunctional systems DC 6140L (3-in-1) and DC 6240L (4-in-1) are living proof of this claim. Despite their compact dimensions, they offer medium-sized teams and departments a broad range of productivity-boosting functions. They can copy, print and scan (the latter even in colour) both quickly and at a high quality. DC 6240L also offers a comprehensive fax feature.

## Functions galore

In addition to the print, copy, scan and fax\* function, the systems offer a duplex mode for two-sided, paper-saving printing and network printing capability as standard. The document feeder holds up to 50 original documents and can reverse them automatically on demand. With a copy resolution of 600 x 600 dpi and a print resolution of 1,200 x 1,200 dpi, quality is not an issue.

\*DC 6240L only

## Features

**Printing:** The warm-up time is a mere 22 seconds. Once the system is ready, the first page is printed after just 9.5 seconds. The paper capacity of 600 sheets can be easily expanded to up to 2,100 sheets, minimising the refilling cycle.

**Copying:** The document feeder has a capacity of 50 sheets and can reverse original documents for copying. Both printing and copying is performed at a speed of up to 40 A4 pages per minute or up to 24.5 A4 pages in duplex mode.

**Scanning:** Documents can be scanned in colour or b/w. The USB host enables users to directly save scans to a connected USB stick (Scan to USB). Further functions include Scan to PC, Scan to e-mail, Scan to FTP and TWAIN and WIA scan.

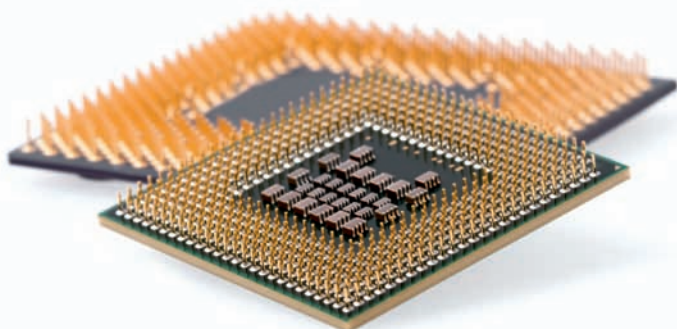
## Additional functions

**Faxing:** DC 6240L 4-in-1 provides an extensive set of fax functions, ensuring smooth and effective communication.

**USB host:** Scan directly to a connected USB stick or print directly from such a stick, saving a lot of time in the process.

**ID card copy:** Both systems contain an 'ID card copy' program, which offers a quick way to print both sides of a small document to the front of a single page.

*Great performance in a highly compact design.*





## DC 6140L / DC 6240L

### A4 Multifunctional systems

Print, Copy, Scan (in colour), Fax (DC 6240L only)

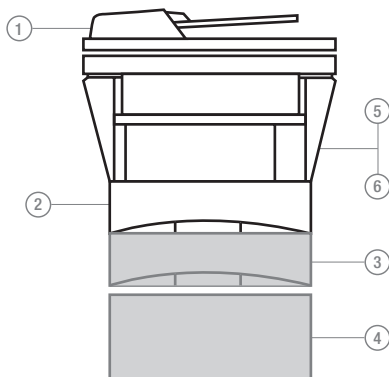
Models for medium-sized teams and departments

### A4

DC 6140L: Copier, printer, colour scanner/  
DC 6240L: Copier, printer, colour scanner, fax;  
both units come with a document feeder, du-  
plex mode, 1 x 500 sheet universal cassette  
and 100 sheet multi-bypass

### Highlights

- Highly multifunctional and productive yet compact in size, incl. colour scanning
- Well-designed control panel for ease of operation
- Print and copy at up to 40 A4 pages/min
- 'ID card copy' program function integrated into system
- USB host supports Scan to USB and direct printing from a USB stick
- High max paper capacity of 2,100 sheets increases uptime and productivity
- Paper weights up to 220 g/m<sup>2</sup> supported



□ Basic version  
■ Options

1) Original feeder with auto reverse function offering a capacity of 50 pages

2) 500 sheet universal cassette, A6R-A4

3) Max 3 x 500 sheet universal cassette A5R-A4\*

4) Cabinet

5) Card Authentication Kit (B)\*

6) UG-33 ThinPrint® Kit\*

\*no illustration

# DC 6140L / 6240L

## Technical data



General		Print system		Fax system (DC 6240L only)	
<b>Type</b>	Desktop	<b>Type</b>	Integrated within the system	<b>Compatibility</b>	Super G3
<b>Function</b>	DC 6140L: Copy, print, scan DC 6240L: Copy, print, scan, fax	<b>Print format</b>	A6R–A4	<b>Modem speed</b>	33.6 kbps
<b>Print technology</b>	Laser b/w	<b>Print resolution</b>	1,200 x 1,200 dpi	<b>Transmission speed</b>	3 seconds or less using JBIG
<b>Original format</b>	max A4 from platen glass	<b>Processor</b>	PowerPC 440/667 MHz	<b>Compression method</b>	JBIG, MMR, MR, MH
<b>Original feeder</b>	50 sheet A4 (standard), 50–120 g/m <sup>2</sup> (simplex), 50–110 g/m <sup>2</sup> (duplex)	<b>Interfaces</b>	USB 2.0, 10/100BaseTX, USB host, CF slot	<b>Fax resolution</b>	Standard (200 x 100 dpi), fine (200 x 200 dpi), super fine (200 x 400 dpi), ultra fine (400 x 400 dpi)
<b>Copy/print speed</b>	max 40 A4 pages/min, duplex: max 24.5 A4 pages/min	<b>Network protocols</b>	TCP/IP, IPX/SPX, Net BEUI, EtherTalk	<b>Fax memory</b>	3.5 MB
<b>1st page</b>	7 seconds (copy)*, 9.5 seconds (print)*	<b>Operating systems</b>	Windows 2000, XP, Vista, Windows 7, Server 2000/2003/2008 R2, Novell NetWare, Linux, Mac OS X 10.4	<b>Abbreviated dial</b>	100 numbers
<b>Warm-up time</b>	22 seconds	<b>Emulations</b>	PCL6, KPDL 3 (PostScript 3 compatible), XPS, PRESCRIBE IIe	<b>One touch dial</b>	22 numbers
<b>Copy resolution</b>	600 x 600 dpi	<b>Functions</b>	USB direct printing, printing of e-mails, private printing (with additional memory), barcode printing, WSD/internet printing	<b>Group dial</b>	20 numbers
<b>Greyscale</b>	256			<b>Operating systems</b>	Windows XP, Vista, Windows 7, Server 2003/2008 R2
<b>Paper feed</b>	1 x 500 sheet universal cassette (A6R–A4), 100 sheet multi-bypass (A6R–A4 [min 70 x 148 mm, max 216 x 356 mm])			<b>Functions</b>	Network fax driver, automatic redialling, delayed transmission
<b>Paper weights</b>	Universal cassette 60–120 g/m <sup>2</sup> , multi-bypass 60–220 g/m <sup>2</sup> , duplex 60–120 g/m <sup>2</sup>				
<b>Paper output</b>	500 sheet A4				
<b>System memory</b>	256 MB RAM, 768 MB RAM				
<b>Continuous copying</b>	1–999 copies				
<b>Zoom</b>	25 %–400 % in steps of 1 %				
<b>Functions</b>	Duplex, job reservation, job programs, ID card copy, scan once - copy many, continuous scan, N-up, 20 management codes				
Dimensions/Weight		Scan system		Options	
<b>Dimensions</b>	545 x 494 x 497 mm (H x W x D)	<b>Scan type</b>	CCD colour and b/w	<b>Paper feed</b>	max 3 x PF-310+ (500 sheet universal cassettes [A5R–A4, 60–120 g/m <sup>2</sup> ])
<b>Weight</b>	approx. 26 kg	<b>Scan format</b>	max A4	<b>Other options</b>	Card authentication kit (B), UT-110G Gigabit Ethernet card (DC 6140L only), cabinet no. 64
Environment		<b>Scan speed</b>	b/w: max 35/18 A4 originals/min (simplex/duplex) with 300 dpi, colour: max 25/14 A4 originals/min (simplex/duplex) with 300 dpi		
<b>Mains voltage</b>	220/240 V, 50/60 Hz	<b>Scan resolution</b>	200 dpi, 300 dpi, 400 dpi, 600 dpi		
<b>Power consumption</b>	approx. 1,046 W max, approx. 677 W in operation, approx. 96/98 W (DC 6140L/6240L) in stand-by mode, approx. 7/11 W (DC 6140L/6240L) in sleep mode	<b>Scan mode</b>	Photo, text, photo/text, OCR		
<b>Noise level</b>	approx. 50,7/50,5 dB(A) in operation, approx. 25,4 dB(A) in stand-by mode (ISO 7779/9296)	<b>File types</b>	TIFF, PDF, JPEG, XPS		
<b>Safety</b>	GS/TÜV, CE	<b>Interface</b>	10/100BaseTX		
		<b>Network protocol</b>	TCP/IP		
		<b>Operating systems</b>	Windows XP, Vista, Windows 7, Server 2003/2008 R2		
		<b>Functions</b>	Scan to SMB, scan to e-mail, scan to FTP, scan to USB, TWAIN scan, WIA scan (Windows Vista, Windows 7, Server 2008 R2), SMTP authentication, LDAP		

\*Depending on operating status.

Specifications subject to change without notice.  
Image shows machine with optional accessories.



TA Triumph-Adler is the document business expert. We offer our clients individual analysis, consultancy and efficient document workflows - not only on paper, but also electronically and with long-term service. For whenever professional users manage, print, photocopy, fax, present or archive documents, or need to optimize processes, TA Triumph-Adler concepts and solutions are the first choice. Our customers benefit greatly from the user-optimized technologies offered by our innovative systems. TA Triumph-Adler and the TA Triumph-Adler logo are registered trademarks of TA Triumph-Adler GmbH. All other brand names are the registered trademarks of their respective owners.

TA Triumph-Adler