

Monochrome laser multifunction product



# Lexmark XM7100 Series



\*Model shown features additional options



Mono



25.9 cm  
(10.2-inch)  
touch screen



Solutions



Security



Duplex ADF  
single-pass



Duplex  
printing



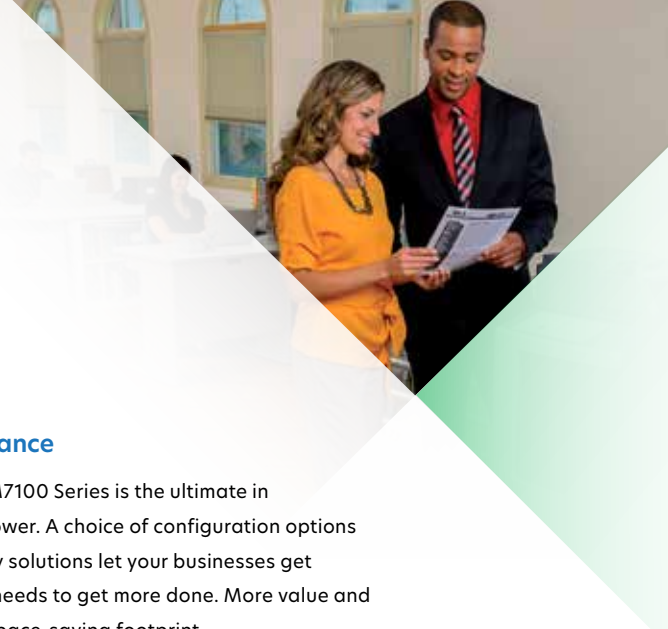
Up to 66  
ppm



Fax



Finishing  
function



Founded in 1991 from an IBM heritage in Lexington, Kentucky, Lexmark is focused on delivering tailored solutions to solve the unique challenges businesses face. Lexmark's broad portfolio of high-quality products, solutions and services help improve productivity, increase efficiency and empower employees to perform at their best.

### Eco-responsible

Printing responsibly and reducing the impact of printing on the environment is a win for your business and your budget. Our goal is to design, package and deliver innovative products and solutions that produce high-quality output with reliable performance. And at the same time, help you minimise the number of cartridges you use over the life of a printer and conserve paper and energy.

The Lexmark Cartridge Collection Programme provides a variety of methods for free returns of your empty cartridges to Lexmark or our collection partners. Programme availability and details vary by country.

### Environmental protection is a shared responsibility

Through work with industry groups, Lexmark helps guide the formation of standards and guiding principles for environmental sustainability.

#### Our memberships include:

- ▶ AeA Europe
- ▶ Ecma International
- ▶ Electronics Industry Citizenship Coalition (EICC)
- ▶ DIGITALEUROPE
- ▶ Information Technology Industry Council (ITI)
- ▶ Environmental Leadership Council

### Top performance

The Lexmark XM7100 Series is the ultimate in multifunction power. A choice of configuration options and productivity solutions let your businesses get exactly what it needs to get more done. More value and versatility in a space-saving footprint.

- ▶ Process even the most complex jobs utilising the 800MHz dual-core processing power and up to 3GB of memory
- ▶ Get work done quickly with print and copy speeds up to 66 ppm, and produce your first page in as little as four seconds
- ▶ Produce professional output with a system that delivers consistent image quality on a diverse range of materials
- ▶ Instant warm-up fuser helps reduce energy consumption and improve time to first page

### Business productivity

The Lexmark XM7100 Series combines exceptional multifunction performance with time-saving applications designed to make you more productive.

- ▶ Save time with fast two-sided colour scanning in a single pass and quickly convert hard-copy documents into a digital format
- ▶ Advanced copy functions let you interrupt long print runs to make a quick copy and proof the first copy set before completing your copy job
- ▶ Scan to multiple destinations, including scan to network, email, FTP, fax and more
- ▶ Select from a number of output options and finishing features, including a four-bin user assignable mailbox, offset stacker, staple finisher or staple with hole punch finisher



## Easy and intuitive

The Lexmark XM7100 Series is designed for easy operation to allow you to stay focused on customer engagements instead of routine maintenance.

- ▶ Extra-large, easy-to-navigate 25.9 cm (10.2-inch) colour touch screen provides audible and tactile feedback to make completing tasks intuitive
- ▶ Print and scan preview features help you select documents or specific pages within a document
- ▶ Directional lights on the device provide visual cues to guide you through tasks
- ▶ Extend your environmental responsibility with energy-efficient settings such as the Sleep Button and Hibernate Mode
- ▶ Manage your devices with available software

## Propel your business forward

Our solutions are designed with your productivity in mind. The Lexmark XM7100 Series platform lets you interact with business applications directly on the device or with a server, on premise or hosted to the cloud. Reduce unnecessary printing and simplify work processes with Lexmark solutions.

## Navigate to efficiency

The Lexmark colour touch screen is a key access point to your device. The extra-large, customisable, 25.9 cm (10.2-inch) interface gives you the ability to preview thumbnails of documents prior to printing, as well as change print job settings at the device. You can even view, select and print specific pages within a document directly from the touch screen. Its easy-to-use, intuitive navigation provides fast access to the functions and shortcuts.

## Examples of preloaded solutions\* on XM7100 Series MFPs:



### Multi Send

Capture and route a document to multiple destinations simultaneously and print a copy if you choose. Documents can be routed to email, network folders or FTP sites.



### Forms and Favorites

Eliminate waste and inefficiencies associated with preprinted forms. Store frequently printed forms, marketing materials or other documents online, then print them on demand.



### Scan to Network Basic

Scan a hard copy document and route the image to one of 30 predefined or public shared network folders.



### Customer Support

This application provides you with an easy way to send information about your device to your authorised dealer or internal help desk.



### Device Quotas

Lexmark Device Quotas allows an administrator to configure user level quotas for print, scan, copy, and outbound fax.

\*Additional Lexmark solutions are available through your authorised Lexmark partner.



## Professional-quality output is only part of the story

By leveraging our industry expertise, you can generate efficiency and increase productivity across business processes to gain the power you need to move ahead. Lexmark technology solutions are tailored to your business environment—where business interactions and decisions are happening.

Empower your employees with workflow solutions that refine work processes, capture critical data and deliver information to the right place, at the right time and in the right format.

Contact your Lexmark Business Solutions Dealer for specific vertical solutions.\* Solutions are customised through your dealer.

## Keep sensitive information and documents secure

Lexmark builds network devices with security in mind to protect your data and documents throughout your entire workflow. Our wide range of security functions include device management, device hardening and device operation.

**Device management.** Tools include administrative access and passwords, HTTPS, SNMPv3, IP security (IPSec) and 802.1x support to remotely monitor and manage device usage.

**Device hardening.** Includes port filtering, TCP connection filtering, hard disk encryption, hard disk wiping and digitally signed firmware updates that enhance the security of the device's network interface.

**Device operation.** Reduce vulnerabilities with authentication and authorisation features, address book lookup via LDAP over SSL and device lockout for protection of user information.

### Lexmark has shown its strength and leadership with respect to security.

- ▶ Forming and chairing the group that created the IEEE 2600 standards for security on hard-copy devices
- ▶ Becoming the first hard-copy device manufacturer to take a holistic approach with the National Information Assurance Partnership (NIAP) Common Criteria evaluation

\*Optional software available. Licensing fees may apply



**25.9 cm (10.2-inch) colour touch screen**

Operate your device with ease through smart and intuitive navigation. Receive audible and tactile feedback when you use the touch screen.



**Flexible output options**

Choose from multiple output options, including a four-bin mailbox, an offset stacker, a staple finisher and a staple with hole punch finisher.



XM7170 model configured with Staple, Hole Punch Finisher



**Single-pass duplex automatic document feeder**

Save time by scanning both sides of your document in one pass with robust colour-scanning capabilities and ultrasonic multi-feed detection to prevent jams.



**Direct USB**

The front USB port allows for convenient walk-up preview, printing and scanning and is compatible with most printable image file formats.



**Lexmark solutions**

Reduce unnecessary printing and simplify work processes through solutions applications preloaded on your device. Choose additional Lexmark solutions to fit your unique workflow needs.



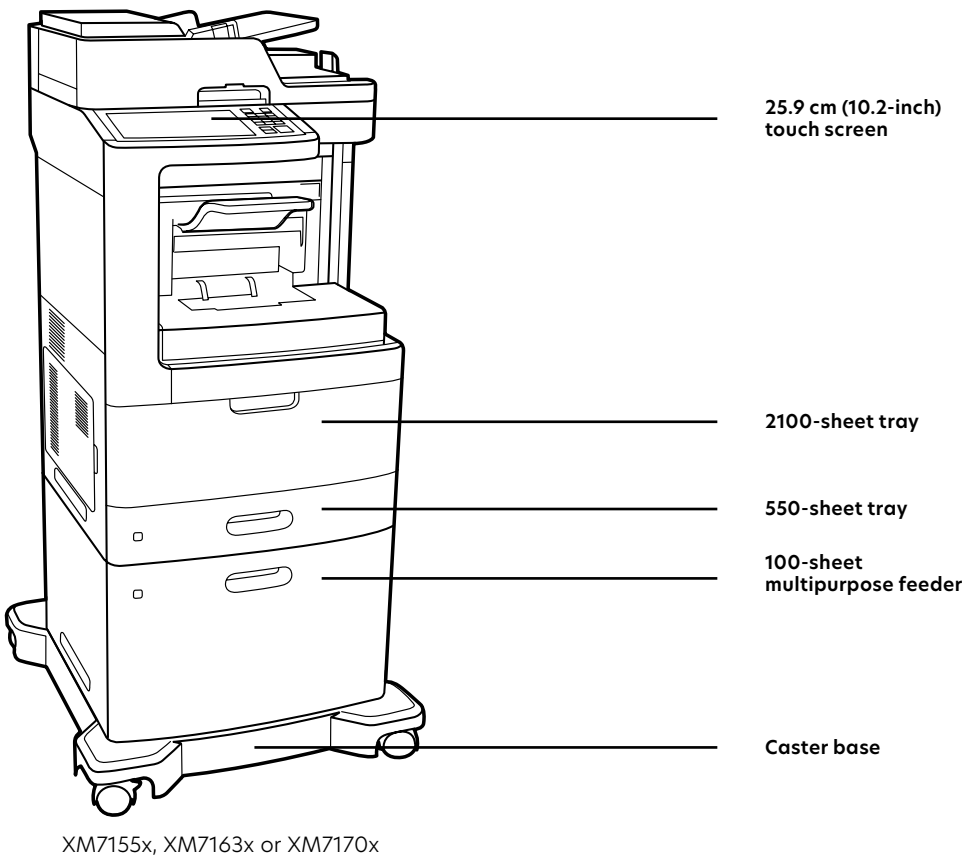
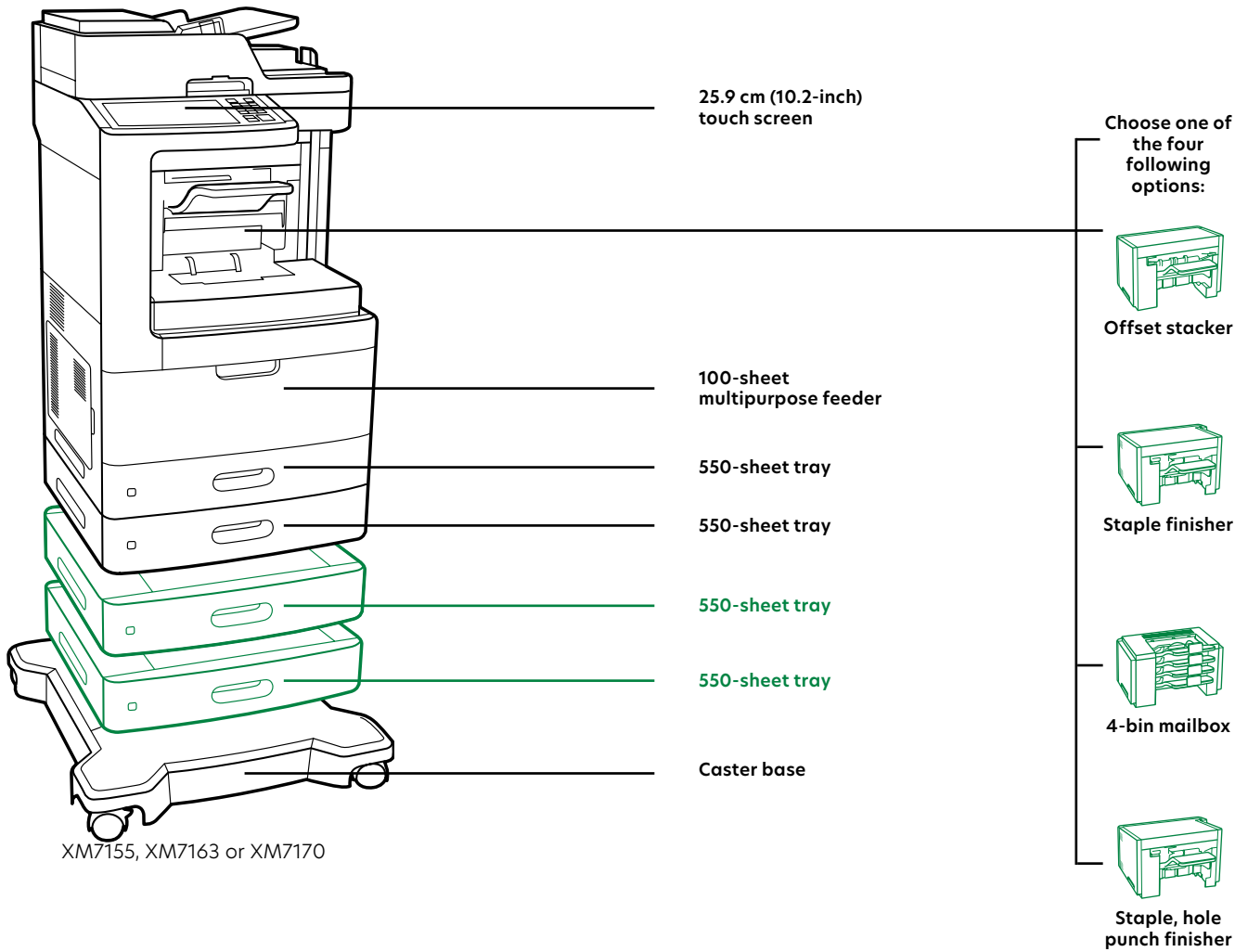
**Lexmark's Unison™ Toner**

Advanced toner science—powerful enough to deliver consistently outstanding image quality, with a shake-free print system.



**Eco-friendly features**

Easy-to-access features like Eco-Mode reduce paper and toner consumption, the Sleep Button and Hibernation Mode make it easy to print responsibly and help you save energy.



**Standard**

**Optional**

The line art features the standard set-up that can be different per model.

## Monochrome laser multifunction product



Product specifications	Lexmark XM7155	Lexmark XM7163	Lexmark XM7170
<b>Print</b>			
Display	Lexmark e-Task 10-inch (25 cm) class colour touch screen		
Print Speed: Up to <sup>6</sup>	Black: 52 ppm	Black: 60 ppm	Black: 66 ppm
Time to First Page: As fast as	Black: 4.8 seconds	Black: 4.4 seconds	Black: 4.0 seconds
Print Resolution	Black: 1200 Image Quality, 1200 x 1200 dpi, 2400 Image Quality, 600 x 600 dpi		
Memory / Processor	Standard: 1024 MB / Maximum: 3072 MB / Dual Core, 800 MHz		
Hard Disk	Included in configuration		
Recommended Monthly Page Volume <sup>2</sup>	3000 - 50000 pages	5000 - 75000 pages	5000 - 100000 pages
Maximum Monthly Duty Cycle: Up to <sup>3</sup>	300000 pages per month		350000 pages per month
<b>Copy</b>			
Copy Speed: Up to <sup>6</sup>	Black: 52 cpm	Black: 60 cpm	Black: 66 cpm
Time to First Copy: as fast as	Black: 4.5 seconds	Black: 4.2 seconds	Black: 4 seconds
<b>Scan</b>			
Scanner Type / ADF Scan	Flatbed scanner with ADF / DADF (single pass Duplex)		
A4/Ltr Duplex Scan Speed: Up to	Black: 132 / 140 sides per minute / Colour: 132 / 140 sides per minute		
A4/Ltr Simplex Scan Speed: Up to	Black: 66 / 70 sides per minute / Colour: 66 / 70 sides per minute		
ADF Paper Input Capacity: Up to	150 pages 75 gsm bond		
<b>Fax</b>			
Modem Speed	ITU T.30, V.34 Half-Duplex, 33.6 Kbps		
<b>Supplies</b>			
Laser Cartridge Yields (up to) <sup>1</sup>	35,000-page Extra High Yield Cartridge		
Imaging Unit Estimated Yield: Up to	100000 pages, based on 3 average letter/A4-size pages per print job and ~ 5% coverage		
Cartridge(s) Shipping with Product <sup>7</sup>	25,000-page Starter High Yield Return Program Toner Cartridge		
<b>Paper Handling</b>			
Included Paper Handling	550-Sheet Input, 100-Sheet Multipurpose Feeder, 550-Sheet Output Bin, Integrated Duplex, 550-Sheet Tray		
Optional Paper Handling	550-Sheet Tray, 4-Bin Mailbox, Offset Stacker, Staple Finisher, Staple Punch Finisher		
Paper Input Capacity: Up to	Standard: 1200 pages 75 gsm bond / Maximum: 2300 pages 75 gsm bond		
Paper Output Capacity: Up to	Standard: 1050 pages 75 gsm bond / Maximum: 1050 pages 75 gsm bond		
Media Types Supported	Card Stock, Dual Web Labels, Envelopes, Integrated Labels, Paper Labels, Plain Paper, Transparencies, Refer to the Card Stock & Label Guide.		
Media Sizes Supported	10 Envelope, 7 3/4 Envelope, 9 Envelope, A4, A5, B5 Envelope, C5 Envelope, DL Envelope, Executive, Folio, JIS-B5, Legal, Letter, Statement, Universal, Oficio, A6		
<b>General Information<sup>4</sup></b>			
Standard Connectivity	One Internal Card Slot, USB 2.0 Specification Hi-Speed Certified (Type B), Gigabit Ethernet (10/100/1000), Front USB 2.0 Specification Hi-Speed Certified port (Type A), Two Rear USB 2.0 Specification Hi-Speed Certified ports (Type A)		
Optional Network Ports / Optional Local Ports	Internal MarkNet N8350 802.11b/g/n Wireless / Internal RS-232C serial, Internal 1284-B Bidirectional Parallel		
Noise Level: Operating	Print: 55 dBA / Copy: 55 dBA / Scan: 57 dBA	Print: 55 dBA / Copy: 56 dBA / Scan: 57 dBA	Print: 56 dBA / Copy: 56 dBA / Scan: 57 dBA
Specified Operating Environment	Temperature: 16 to 32°C (60 to 90°F), Humidity: 8 to 80% Relative Humidity, Altitude: 0 - 2896 Meters (9,500 Feet)		
Size (mm - H x W x D) / Weight	1133 x 663 x 734 mm / 80.6 kg		

<sup>1</sup>Average yield based on approximately 5% print coverage. <sup>2</sup>"Recommended Monthly Page Volume" is a range of pages that helps customers evaluate Lexmark's product offerings based on the average number of pages customers plan to print on the device each month. Lexmark recommends that the number of pages per month be within the stated range for optimum device performance, based on factors including: supplies replacement intervals, paper loading intervals, speed, and typical customer usage. <sup>3</sup>"Maximum Monthly Duty Cycle" is defined as the maximum number of pages a device could deliver in a month using a multishift operation. This metric provides a comparison of robustness in relation to other Lexmark printers and MFPs. <sup>4</sup>Printers are sold subject to certain license/agreement conditions. See [www.lexmark.com/printerlicense](http://www.lexmark.com/printerlicense) for details. <sup>5</sup>Actual Yield may vary based on other factors such as device speed, paper size and feed orientation, toner coverage, tray source, percentage of black-only printing and average print job complexity. <sup>6</sup>Print and copy speeds measured in accordance with ISO/IEC 24734 and ISO/IEC 24735 respectively (ESAT). For more information see: [www.lexmark.com/ISOspeeds](http://www.lexmark.com/ISOspeeds). <sup>7</sup>Average standard page yield value declared in accordance with ISO/IEC 19752.

This is a Class A device according to the FCC Rules and EN 55022/EN 55032 emissions standards. This device is not intended for use in residential or domestic environments due to potential interference to radio communications.



[www.lexmark.com](http://www.lexmark.com)

© 2016 Lexmark and the Lexmark logo are trademarks of Lexmark International, Inc., registered in the United States and/or other countries. All other trademarks are the property of their respective owners.

ENERGY STAR® is a U.S. registered mark.

AirPrint and the AirPrint logo are trademarks of Apple Inc.