



C746dn

# Lexmark C746 Family

## High-quality colour support for midsize workgroups

The Lexmark C746 Family colour laser printers deliver the easy-to-use features and reliable performance essential to midsize workgroups. Energy-saving features make responsible printing easy.

## Robust high-quality colour

Rely on Lexmark C746 Family colour laser printers for the high-quality colour printing essential to business. Speed and reliability mean minimal waiting and few interruptions. You consistently and quickly receive vibrant documents.

- ▶ Match corporate colours on marketing collateral and brand-sensitive text and graphics with Lexmark Named Color Replacement and PANTONE® calibration.
- ▶ The high-speed processor and Gigabit Ethernet networking mean fast data transfer and fast processing, even on complex colour documents.
- ▶ Print quickly at speeds up to 33 ppm and a time to first page as fast as 9 seconds in both black and colour.
- ▶ Lexmark cartridges let you print up to 12,000 pages per cartridge in black and 7,000 pages per cartridge in colour.<sup>1</sup>



Colour



Multimedia Feed



Network



Eco-mode



Security



Direct USB

## Productivity made easy

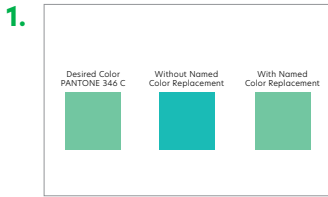
The combination of easy-to-use features and reliable performance means business processes are intuitive and you are productive. Increase efficiency with workflow-enhancing shortcuts designed to reduce unnecessary printing and simplify processes.

- ▶ The 6 cm (2.4 inch) LCD is easy to read and the colour graphics make navigation and troubleshooting intuitive.
- ▶ Expand input capacity with optional paper drawers that let you load multiple paper types and boost total input capacity up to 4,300 sheets.
- ▶ Create customised messages to provide helpful information, such as helpdesk telephone numbers.
- ▶ Easily manage supplies through programmable alerts that automatically send reorder notifications.

## Sustainable by design

Environmentally friendly printing and energy-saving features make it easy to print responsibly. Use fewer raw materials with features that reduce the number of pages printed and free cartridge return and recycling programmes.

- ▶ Use less electricity with Hibernate Mode, which reduces energy consumption to less than one watt and meets multiple energy management standards.
- ▶ Choose from multiple print settings that help reduce energy, paper and toner consumption using custom Eco-Settings.
- ▶ Cartridges are eligible for the Lexmark Cartridge Collection Program (LCCP), which offers a variety of free, easy return options designed for your business size and printing volume. For more information visit [www.lexmark.com/recycle](http://www.lexmark.com/recycle).<sup>2</sup>
- ▶ Reduce paper consumption by up to 50% and reduce your impact on the environment with two-sided printing.<sup>3</sup>



**Easy brand matching**

Consistently match branded colours and print marketing collateral in-house with Lexmark Named Color Replacement.



**Flexible input capacity**

With the optional 550-sheet drawers, a specialty media drawer and 2,000-sheet high-capacity feeder, customise input options to meet your printing needs.



**Use less energy**

The instant warm-up fuser reduces energy consumption and delivers a time to first page as fast as 9 seconds in both black and colour.



**Walk-up USB printing**

The front USB port allows for convenient walk-up printing of PDFs and many printable image file formats.



**Multiple media support**

Ultra-reliable paper feeding supports diverse media, including card stock, vinyl labels, banners and more.



**Fast data transfer**

Gigabit Ethernet networking lets the device accept print jobs across a network quickly.



**Eco-friendly printing**

Print responsibly with Eco-Settings that let you customise print settings and Hibernate Mode which reduces energy consumption to less than one watt.



**Advanced security**

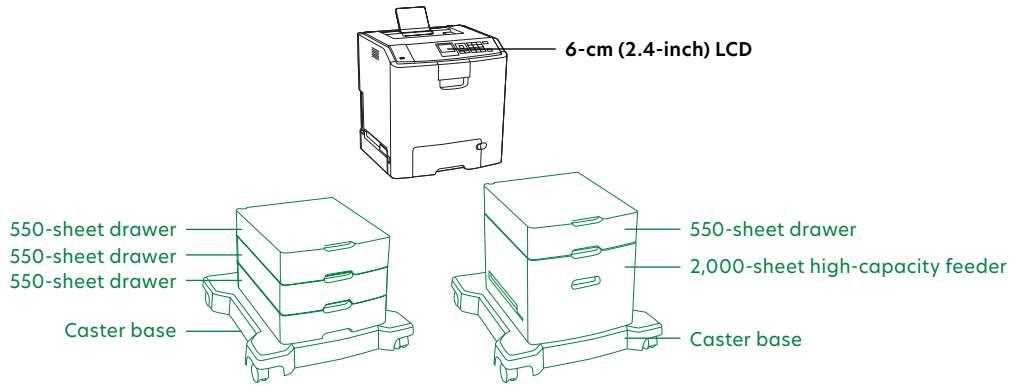
Protect your device, data and network with innovative security controls, like authentication and authorisation.

## Colour laser printer

### Standard

### Optional

The line art features the standard set-up that can be different per model.



## Compatible on the complete Lexmark C746 Family

### Part # Laser toner/print cartridge

C746H1KG	C746, C748 Black High Yield Return Program Toner Cartridge
C746A1CG	C746, C748 Cyan Return Program Toner Cartridge
C746A1MG	C746, C748 Magenta Return Program Toner Cartridge
C746A1YG	C746, C748 Yellow Return Program Toner Cartridge
C746H2KG	C746, C748 Black High Yield Toner Cartridge
C746A2CG	C746, C748 Cyan Toner Cartridge
C746A2MG	C746, C748 Magenta Toner Cartridge
C746A2YG	C746, C748 Yellow Toner Cartridge
C734X77G	Waste Toner Box (25K)
C734X20G	Photoconductor Unit (20K)
C734X24G	Photoconductor Unit, 4-Pack (20K each)

### Part # Furniture

3052765	Swivel Cabinet
34T5114	C74x, X74x Caster Base
16C0379	T Low Profile Printer Stand

### Part # Memory options

1025041	256MB DDR2-DRAM
1025042	512MB DDR2-DRAM
1025043	1024MB DDR2-DRAM
14F0245	256MB Flash Card
27X0014	160+ GB Hard Disk

### Part # Application solutions

57X9000	Lexmark PrintCryption Card
41G0195	C746 Card for IPDS
41G0196	C746 Card for PRESCRIBE Emulation
41G0194	C746 Forms and Bar Code Card

### Part # Connectivity

27X0030	MarkNet N8250 802.11b/g/n Wireless Print Server
1021294	USB (2 Meter) Cable
14F0000	Parallel 1284-B Interface Card
1021231	Parallel (10') Cable
14F0100	RS-232C Serial Interface Card

### Part # User replaceable parts

40X8111	C74x, X74x Fuser Maintenance 220-240V
40X5168	Pick Tire
40X5152	Pick Tire, Specialty Media Drawer
40X6401	Transfer Belt Maintenance Kit

## Lexmark C746n

### Part # Model

41G0020	Lexmark C746n
---------	---------------

### Part # Paper handling

27S2100	550-Sheet Drawer
27S2400	2000-Sheet High Capacity Feeder

27S2650	550-Sheet Specialty Media Drawer
27S2190	4.8 inch (12.2 cm) Spacer

### Part # Extended warranties

2354996P	C746 2-Years Total (1+1) Onsite Service
2354997P	C746 3-Years Total (1+2) Onsite Service
2354998P	C746 4-Years Total (1+3) Onsite Service
2354999P	C746 5-Years Total (1+4) Onsite Service
2355000P	C746 1-Year Onsite Service Renewal

### Part # Installation service

2355003	C746 Installation Service
---------	---------------------------

#### In the box

Lexmark C746n colour laser printer, Up to 6,000\*-page colour (CMY) starter toner cartridges, Up to 6,000\*-page black starter toner cartridge, Photoconductor unit, Software and Documentation CD, Power cord(s), Setup guides (network and local attachment), Statement of limited warranty / guarantee, Lexmark Cartridge Collection Program information

\*Average continuous black or continuous composite CMY declared cartridge yield in one-sided (simplex) mode up to this number of standard pages in accordance with ISO/IEC 19798.

## Lexmark C746dn

### Part # Model

41G0070	Lexmark C746dn
---------	----------------

### Part # Paper handling

27S2100	550-Sheet Drawer
27S2400	2000-Sheet High Capacity Feeder
27S2650	550-Sheet Specialty Media Drawer
27S2190	4.8 inch (12.2 cm) Spacer

### Part # Extended warranties

2354996P	C746 2-Years Total (1+1) Onsite Service
2354997P	C746 3-Years Total (1+2) Onsite Service
2354998P	C746 4-Years Total (1+3) Onsite Service
2354999P	C746 5-Years Total (1+4) Onsite Service
2355000P	C746 1-Year Onsite Service Renewal

### Part # Installation service

2355003	C746 Installation Service
---------	---------------------------

#### In the box

Lexmark C746dn colour laser printer, Up to 6,000\*-page colour (CMY) starter toner cartridges, Up to 6,000\*-page black starter toner cartridge, Photoconductor unit, Software and Documentation CD, Power cord(s), Setup guides (network and local attachment), Statement of limited warranty / guarantee, Lexmark Cartridge Collection Program information

\*Average continuous black or continuous composite CMY declared cartridge yield in one-sided (simplex) mode up to this number of standard pages in accordance with ISO/IEC 19798.

## Lexmark C746dtn

### Part # Model

41G0120	Lexmark C746dtn
---------	-----------------

### Part # Paper handling

27S2100	550-Sheet Drawer
27S2400	2000-Sheet High Capacity Feeder
27S2650	550-Sheet Specialty Media Drawer
27S2190	4.8 inch (12.2 cm) Spacer

### Part # Extended warranties

2354996P	C746 2-Years Total (1+1) Onsite Service
2354997P	C746 3-Years Total (1+2) Onsite Service
2354998P	C746 4-Years Total (1+3) Onsite Service
2354999P	C746 5-Years Total (1+4) Onsite Service
2355000P	C746 1-Year Onsite Service Renewal

### Part # Installation service

2355003	C746 Installation Service
---------	---------------------------

#### In the box

Lexmark C746dtn colour laser printer, Includes 550-Sheet Drawer, Up to 6,000\*-page colour (CMY) starter toner cartridges, Up to 6,000\*-page black starter toner cartridge, Photoconductor unit, Software and Documentation CD, Power cord(s), Setup guides (network and local attachment), Statement of limited warranty / guarantee, Lexmark Cartridge Collection Program information

\*Average continuous black or continuous composite CMY declared cartridge yield in one-sided (simplex) mode up to this number of standard pages in accordance with ISO/IEC 19798.



Product specifications	Lexmark C746n	Lexmark C746dn	Lexmark C746dtn
<b>Print</b>			
Display	2.4-inch (60 mm) Colour LCD display		
Print Speed: Up to	Black: 33 ppm / Colour: 33 ppm		
Time to First Page: As fast as	Black: 9 seconds / Colour: 9 seconds		
Print Resolution	Black: 4800 Color Quality (2400 x 600 dpi), 1200 x 1200 dpi / Colour: 4800 Color Quality (2400 x 600 dpi), 1200 x 1200 dpi		
Memory / Processor	Standard: 512 MB / Maximum: 1536 MB / 800 MHz		
Hard Disk	Option available		
Recommended Monthly Page Volume <sup>4</sup>	1500 - 9200 pages		
Maximum Monthly Duty Cycle: Up to <sup>3</sup>	85000 pages per month		
<b>Supplies</b>			
Supplies Yield <sup>1</sup>	12,000-page Black High Yield Toner Cartridge, 7,000-page Colour (CMY) Toner Cartridges		
Photoconductor Estimated Yield: Up to <sup>2</sup>	20,000 pages, based on 3 average letter/A4-size pages per print job and ~ 5% coverage		
Cartridge(s) Shipping with Product <sup>1</sup>	6,000-page Colour (CMY) Starter Return Program Toner Cartridges, 6,000-page Black Starter Return Program Toner Cartridge		
<b>Paper Handling</b>			
Paper Handling Standard	550-Sheet Input Tray, 300-Sheet Output Bin, 100-Sheet Multipurpose Feeder	550-Sheet Input Tray, 100-Sheet Multipurpose Feeder, Integrated Duplex, 300-Sheet Output Bin	Integrated Duplex, 550-Sheet Input Tray, 550-Sheet Drawer, 300-Sheet Output Bin, 100-Sheet Multipurpose Feeder
Paper Handling Optional	550-Sheet Specialty Media Drawer, 2,000-Sheet High Capacity Feeder, 550-Sheet Drawer		
Paper Input Capacity: Up to	Standard: 650 pages 75 gsm bond / Maximum: 4300 pages 75 gsm bond		Standard: 1200 pages 75 gsm bond / Maximum: 4300 pages 75 gsm bond
Paper Output Capacity: Up to	Standard: 300 pages 75 gsm bond / Maximum: 300 pages 75 gsm bond		
Media Types Supported	Refer to the Card Stock & Label Guide., Vinyl Labels, Transparencies, Plain Paper, Paper Labels, Envelopes, Card Stock		
Media Sizes Supported	A6, Oficio, Universal, Statement, Letter, Legal, JIS-B5, Folio, Executive, B5, DL Envelope, C5 Envelope, B5 Envelope, A5, A4, 9 Envelope, 7 3/4 Envelope, 10 Envelope		
<b>General Information</b>			
Standard Connectivity	Ethernet 10/100/1000 BaseTX (RJ-45), Front USB 2.0 Specification Hi-Speed Certified port (Type A), USB 2.0 Specification Hi-Speed Certified (Type B)		
Optional Network Ports / Optional Local Ports	Internal MarkNet™ N8250 802.11b/g/n Wireless / Internal 1284-B Bidirectional Parallel, Internal RS-232C serial		
Noise Level: Operating	Print: 54 dBA		
Specified Operating Environment	Altitude: 0 - 3048 Meters (10,000 Feet), Humidity: 8 to 80% Relative Humidity, Temperature: 16 to 32°C (60 to 90°F)		
Product Guarantee	1-Year Onsite Service, Next Business Day		
Size (mm - H x W x D) / Weight	455 x 435 x 400 mm / 25.2 kg		582 x 435 x 545 mm / 29.7 kg

<sup>1</sup>Average continuous black or continuous composite CMY declared cartridge yield up to this number of standard pages in accordance with ISO/IEC 19798. <sup>2</sup>Actual Yield may vary based on other factors such as device speed, paper size and feed orientation, toner coverage, tray source, percentage of black-only printing and average print job complexity. <sup>3</sup>“Maximum Monthly Duty Cycle” is defined as the maximum number of pages a device could deliver in a month using a multishift operation. This metric provides a comparison of robustness in relation to other Lexmark printers and MFPS. <sup>4</sup>“Recommended Monthly Page Volume” is a range of pages that helps customers evaluate Lexmark’s product offerings based on the average number of pages customers plan to print on the device each month. Lexmark recommends that the number of pages per month be within the stated range for optimum device performance, based on factors including: supplies replacement intervals, paper loading intervals, speed, and typical customer usage.

**This is a Class A device according to the FCC Rules and EN 55022/EN 55032 emissions standards. This device is not intended for use in residential or domestic environments due to potential interference to radio communications.**